

PART NAME

NEMA 4X ENCLOSURE

PART No.

AN-1317, AN-1317-G, AN-2817 & AN-2817-B

REV. DATE

12-6-07

MATERIAL: ALUMINUM ALLOY #ADC-12

FINISH: NATURAL (NO SUFFIX)

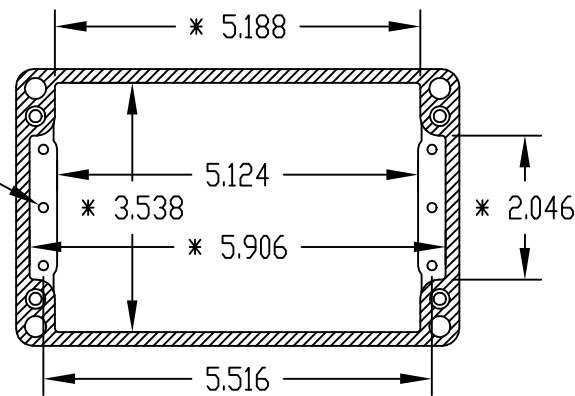
GRAY (SUFFIX -G)

SMOOTH BLACK (SUFFIX -B)

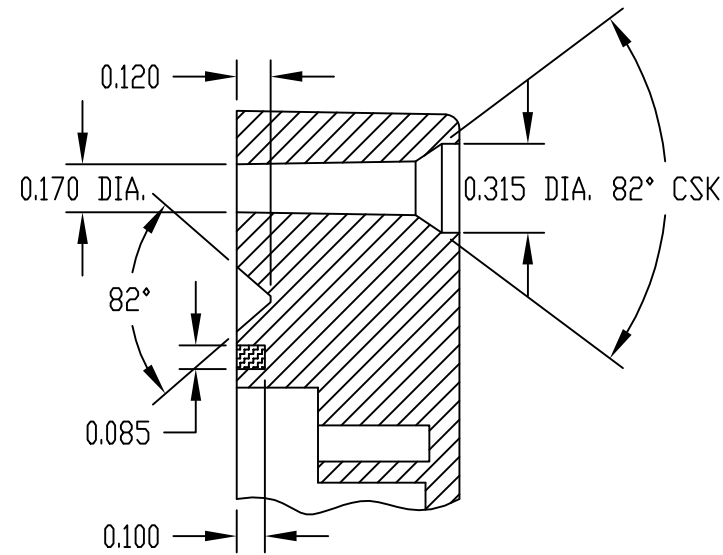
- 1) FOUR (4) M4 x 25mm (0.975") LG. SCREWS SUPPLIED FOR ASSEMBLY OF COVER TO BODY.
- 2) ALL HOLE DIAMETERS HAVE ±0.005 TOLERANCE ALL OTHER DIMENSIONS HAVE ±0.015 TOLERANCE

PART NO. AN-2817 & AN-2817-B ARE SUPPLIED WITH A WELDED ON MOUNTING BRACKET ONLY.

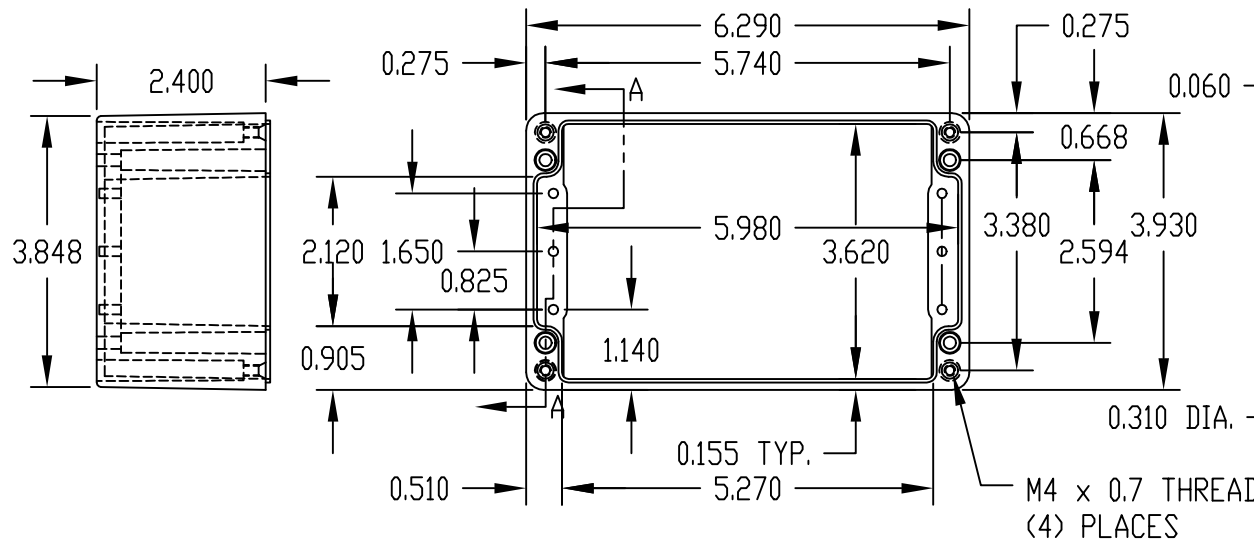
0.136 DIA. x 0.310 DEEP (6) PLACES ACCEPTS M4 x 6mm SELF-TAPPING SCREW (NOT SUPPLIED)



SECTION "B-B" * DIMENSIONS ARE AT BOTTOM OF ENCLOSURE

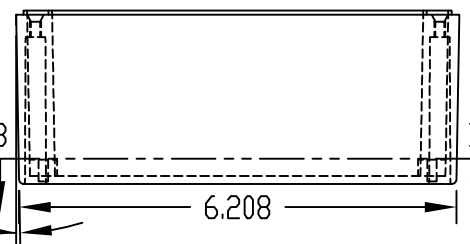


DETAIL "D"



SECTION "A-A"

1° DRAFT REF.



BODY

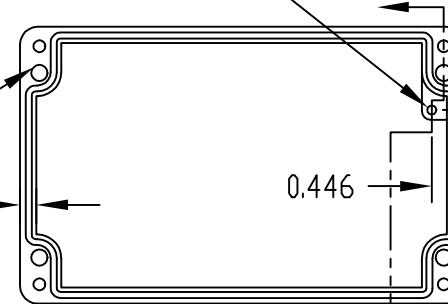
0.275 DIA. (4) HOLES

0.175 DIA. (4) HOLES

0.125 DIA. x 0.500 DEEP (1) PLACE ACCEPTS M3.5 x 6mm SELF-TAPPING SCREW (NOT SUPPLIED)

0.230 DIA. (4) PLACES

0.230 TYP.



COVER

SEE DETAIL "D"

SILICONE GASKET (CLEAR)

SECTION "C-C"

